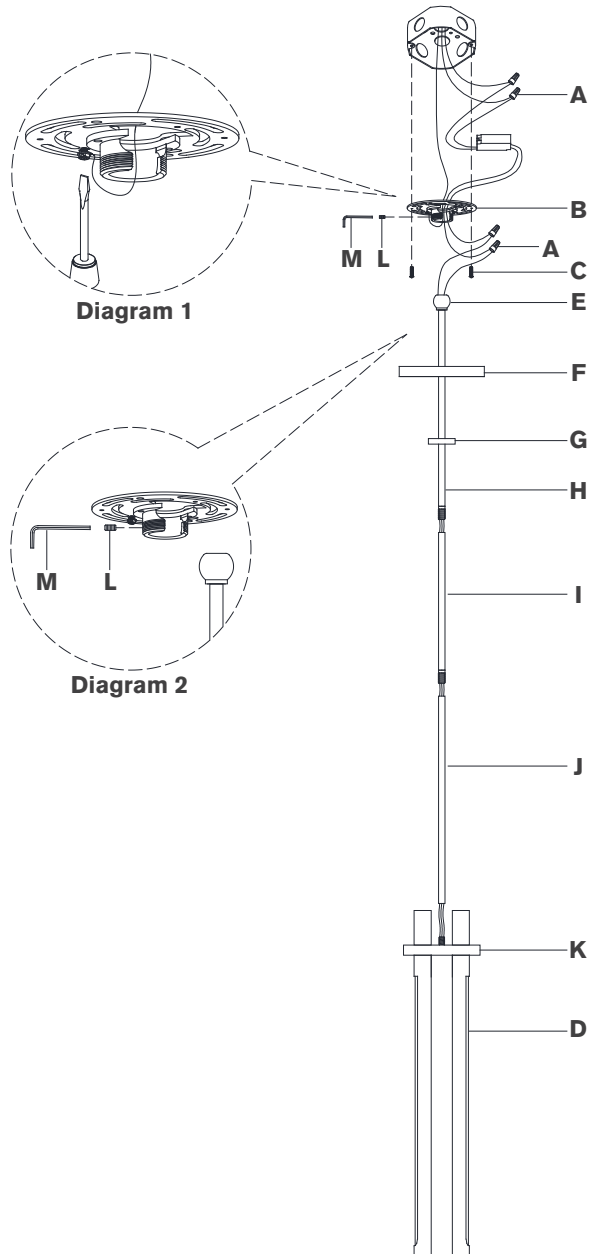




## ASSEMBLY INSTRUCTIONS



## Axis 4" Double Pendant

Item # KW5734

### NOTICE:

This light fixture should be installed in accordance with all applicable, local installation codes, and by a person familiar with the construction and operation of it, as well as the hazards involved. Inspect item and contents carefully. If any damage or defect is found, do not install. Retain all packaging material until installation is complete and approved.

12. Cut excess wire, being sure to leave enough to reach the junction box. Separate wires, and strip insulation on each 5/8".
  13. Connect fixture neutral wire (black) to driver output wire (black) using wire nut (A).
  14. Connect fixture hot wire (red) to driver output wire (red) using wire nut (A).
- CAUTION:** Do not reverse the hot and neutral connections.
15. Make sure all wire connections are tight, then carefully tuck into the junction box.
  16. Install canopy (F) to mounting plate (B) and secure with collar ring (G).
  17. Adjust shades (D) to desired angle.

**Care Instructions:** Clean only with a soft dry cloth or feather duster. Do not use abrasive or chemical agents.

VISUAL COMFORT

